



**Wheel  
Engineering**

# TIRE INNER TUBES & FLAPS



*2020*



**888-455-4910**

# TABLE OF CONTENTS

## INNER TUBES

PASSENGER, LIGHT TRUCK.....	2
MOBILE/RV, TRUCK AND BUS .....	3
TRUCK AND BUS, LOW PLATFORM.....	4
SEVERE SERVICE, SPECIAL APPLICATIONS.....	5
FRONT FARM .....	6
FRONT FARM, REAR FARM— <i>BIAS</i> .....	7
<b>5 STAR PREMIUM INNER TUBES .....</b>	<b>8</b>
REAR FARM— <i>RADIAL</i> .....	9
REAR FARM— <i>RADIAL</i> , GRADER, OTR .....	10
FORESTRY, INDUSTRIAL .....	11
LAWN & GARDEN— <i>BIAS &amp; RADIAL</i> .....	12



## FLAPS & MORE

FLAPS .....	13
SPORTS TUBES .....	14
SPECIALTY TIRES.....	15
VALVES .....	16-20
PACKAGING INFORMATION .....	21
WAREHOUSE OR CONTAINER PROGRAMS .....	22

# PASSENGER-LIGHT TRUCK

## PASSENGER TUBES – BIAS / RADIAL

Part #	Description	Valve	Box Qty
1B12	K-14/15	TR-13	25
1B21	M-14/15	TR-13	20
1B24	G-16 (K-16)	TR-13	20
1B27	K-16 (6.50/7.50-16)	TR-15	20
1R02	FR-12	TR-13	20
1R05	FR-13/14	TR-13	20
1R10	GR-13/14	TR-13	20
1R12	KR-14/15	TR-13	25
1R18	FR-15	TR-13	20
1R21	MR-14/15	TR-13	20
1R26	GR/KR-16	TR-13	20
1R27	GR/KR-16	TR-15	20

## LIGHT TRUCK TUBES – BIAS / RADIAL

Part #	Description	Valve	Box Qty
2R20	7.00/7.50R-15	TR-13	20
2R23	7.00/7.50R-15	TR-15	20
2R27	7.00/7.50R-15	TR-150	20
2R30	7.50R-16	TR-13	15
2R31	7.50R-16	TR-15	15
2R32	7.50R-16	TR-150	15
2R33	7.50R-16	TR-75A	15
2R35	7.50R-16	TR-218A	15
2R36	7.00/7.50R-17/18	TR-75A	12
2R44	9.00R-16	TR-75A	12



# MOBILE HOME—RV—TRUCK / BUS

## MOBILE HOME / RV TUBES – BIAS / RADIAL

Part #	Description	Valve	Box Qty
2V03NB	7/8R14.5	TR-300	10
2V07NB	7/8R17.5	TR-300	12
2V12NB	10/11/12R-15	TR-13	10
2V15NB	8.00/8.75R-16.5	TR-15	10
2V18NB	9.50/10R-16.5	TR-15	10
2V21	12R-16.5-RV	TR-15	7
2V23	12R-16.5	TR15CW	7

## TRUCK AND BUS TUBES – BIAS

Part #	Description	Valve	Box Qty
3C07	8.25-20	TR-77A	9
3C10	9.00-20	TR-175A	7
3C20	10.00-20	TR-78A	6
3C30	11.00-20	TR-78A	5

## TRUCK AND BUS TUBES – RADIAL

Part #	Description	Valve	Box Qty
3R29	6.00/6.50R-20	TR-75A	12
3R30	7.00/7.50R-20	TR-77A	12
3R34	8.25R-20	TR-77A	10
3R38	9.00R-20	TR-175A	8
3R40	10.00R-20	TR-78A	6
3R43	11.00/13.80R-20	TR-78A	5

Note: NB = Non breakable box

# TRUCK/BUS – LPT

## TRUCK AND BUS TUBES – RADIAL CONTINUED

Part #	Description	Valve	Box Qty
3R46	12.00/14.80R-20	TR-78A	5
3R49	13.00/14.00R-20	TR-78A	4
3R52	14.00/16.00R-20	TR-179A	4
3R55	16.00/18.00R-20	TR-179A	3
3R57	16.00/18.00R-20	TR-75A	3
3R58	10.00R-22	TR-78A	6
3R61	11.00R-22	TR-78A	5
3R64	11.00/12.00R-24	TR-78A	4
3R68	13.00/14.00R-24/25	TR-78A	3
3R73	9/10R-22.5	TR-300	6
3R76	11/12R-22.5	TR-300	5
3R79	11/12R-24.5	TR-300	5
3R83	15/16R-22.5	TR-300	4
3R86	15R19.5	TR-300	5
3R88	15R-19.5	TR-218A	5
3R89	18R-22.5	TR-300	3

## LOW PLATFORM TRAILER TUBES – RADIAL

Part #	Description	Valve	Box Qty
4R23	7.00/7.50-15 LPT	TR-75A	18
4R26	8.25/9.00R-15 LPT	TR-77A	14
4R27	8.25R-15 LPT	TR-75A	14
4R29	10.00/11.00R-15 LPT	TR-78A	8
4R32	14.5R15	TR-75A	10
4R33	15L-10	TR-75A	8

## SEVERE SERVICE TUBES

Part #	Description	Valve	Box Qty
3SS44	12.00R-24 HD	V3-02-14	3
3SS45	12.00R-24 SS	TR-78A	4
3SS47	11.00/12.00R-24	TR-77A	4
3SS49	13.00/14.00R-24/25	TR-77A	3
3SS51	13.00/14.00R-24 SS	TR-77A	3
3SS54	14.00R-24/25	TR-77A	3
3SS70	16.9/18.4R34	TR-218A	2
3SS71	16.9/18.4R-38 SS	TR-218A	2
3SS83	20.8R38	TR-218A	1
3SS84	18.4/20.8R42	TR-218A	1
3SS87	20.8R-46/520/85R-46 SS	TR-218A	1

## SPECIAL APPLICATIONS - TUBES

Part #	Description	Valve	Box Qty
3S25	9.50/10R-16.5	TR-218A	15
3S27	12R-16.5	TR-218A	7
3S29	12.00R-20	TR-75A	3
3S50	21.00R-35	TR-J1175C	1
3S81	14R-17.5	TR-15	9

# FRONT FARM

## FRONT FARM TUBES – BIAS

Part #	Description	Valve	Box Qty
5B01NB	4.00/5.00-15	TR-15	14
5B02	11L-15/16	TR15CW	14
5B05	11L-15/16	TR-15	14
5B11	12.5L-15/16	TR15CW	10
5B15	7.50-17/18	TR-15	12
5B16	19.00/45-17	TR-15	6
5B17NB	4.00-19	TR-15	12
5B33	7.50/8.25-20	TR15CW	9
5B35	7.50/8.25-20	TR-15	9
5B36	9.00/10.00-20	TR-15	7
5B38	10.00/11.00-16	TR15CW	10
5B42	11.00-16	TR-150	10
5B44	14L-16.1	TR15CW	8

## FRONT FARM TUBES – RADIAL

Part #	Description	Valve	Box Qty
5R00	11LR-14	TR-13	14
5R02	7.5L/9.5LR-14/15	TR-13	16
5R03	5.50/6.00R-15/16	TR-15	20
5R07	7.5L/9.5LR-14/15	TR-218A	16
5R10	11L/12.5LR-15/16	TR-15	14
5R13	31x13.50/15.50R15	TR-218A	7
5R15	11L/12.5LR-15/16	TR-218A	14
5R18	10/11.00R-15/16	TR-15	10
5R20	10/11.00R-15/16	TR-218A	10
5R21	13.6/14LR-16.1	TR-15	8
5R24	13.6/14LR-16.1	TR-218A	8

Note: NB = Non breakable box

# FRONT / REAR FARM

## FRONT FARM TUBES – RADIAL CONTINUED

Part #	Description	Valve	Box Qty
5R25	16.5/18.4R-16.1	TR-218A	6
5R26	18.4/19.5/21.5LR-16.1	TR-218A	3
5R27	16.5/18.4R-16.1	TR-15	6
5R30	10.5L/12.5LR-18/20	TR-15	8
5R35	10.5L/12.5LR-18/20	TR-218A	8
5R45NB	6.00R-16 (GR-16)	TR-218A	10
5R60NB	7.50/9.00R-10	TR-218A	10

## REAR FARM TUBES – BIAS

Part #	Description	Valve	Box Qty
6B05	8.3-24	TR-218A	10
6B10	9.5-24	TR-218A	10
6B15	11.2/12.4-24	TR-218A	5
6B20	19.5L-24	TR-218A	3
6B25	13.6/14.9-26/28	TR-218A	4
6B30	11.2/12.4-28	TR-218A	5
6B35	16.9/14-30	TR-218A	3
6B40	18.4-30	TR-218A	3
6B45	16.9/14-34	TR-218A	3
6B50	18.4-34	TR-218A	3
6B53	11.2-38	TR-218A	3
6B60	18.4/15-38	TR-218A	2
6B65	18.4-42	TR-218A	1



# 5 STAR PREMIUM TUBES

*"The best farm tubes I've used."*

## PREMIUM REAR FARM TUBES – RADIAL

Customer – B.G.

Part #	Description	Valve	Box Qty
6PR22	23.1R-26 Premium	TR-218A	2
6PR32	16.9/18.4R-26/28 Premium	TR-218A	4
6PR34	28LR-26 Premium	TR-218A	1
6PR36	16.9/18.4R-30 Premium	TR-218A	2
6PR40	23.1R-30 Premium	TR-218A	1
6PR44	24.5R-32 Premium	TR-218A	1
6PR48	16.9/18.4R-34 Premium	TR-218A	3
6PR52	13.6/14.9R-36/38 Premium	TR-218A	3
6PR55	15.5R-38 Premium	TR-218A	2
6PR59	16.9/18.4R-38 Premium	TR-218A	2
6PR60	7.10/70R-38 Premium	TR-218A	1
6PR61	20.8R-38 Premium	TR-218A	2
6PR64	20.8R34 Premium	TR-218A	2
6PR67	30.5LR-32 Premium	TR-218A	1
6PR68	9.5/11.2/12.4R-42 Premium	TR-218A	4
6PR70	18.4/20.8R-42 Premium	TR-218A	1
6PR80	14.9R-46 Premium	TR-218A	1
6PR85	16.9/18.4R-46 Premium	TR-218A	2
6PR91	9.5R-48 Premium	TR-218A	5
6PR94	270/95R-52/54 Premium	TR-218A	1
6PR96	16.9/18.4R-50 Premium	TR-218A	1



*Have your customers been affected by the poor finish quality of some tires lately?*

Low quality finishes can wreak havoc on even commercial grade tubes. Our answer?

The 5 Star Premium Line.

**Thicker. Heavier. Tougher.**



# REAR FARM

## REAR FARM TUBES – RADIAL

Part #	Description	Valve	Box Qty
6R00	13.6R-20	TR-218A	7
6R05	18.4/19.5/21LR-24	TR-218A	3
6R10NB	7.5/8.3/9.5R24	TR-218A	5
6R13	11.2/12.4R-24	TR-218A	5
6R16	13.6/14.9-24	TR-218A	5
6R19	16.9/17.5LR-24	TR-218A	3
6R22	23.1R-26	TR-218A	2
6R26	11.2/12.4R26	TR-218A	5
6R27	11.2/12.4R28	TR-218A	5
6R28	13.6/14.9R-26/28	TR-218A	4
6R32	16.9/18.4R-26/28	TR-218A	3
6R34	28LR-26	TR-218A	1
6R36	16.9/18.4R-30	TR-218A	2
6R38	14.9R-30	TR-218A	4
6R40	23.1R-30	TR-218A	2
6R41	13.6R-34/36	TR-218A	4
6R42	9.5/11.2R-32/34	TR-218A	5
6R44	24.5R-32	TR-218A	1
6R46	14.9R-34	TR-218A	3
6R47	14.9-36	TR-218A	4
6R48	16.9/18.4R-34	TR-218A	2
6R49	11.2/12.4R-36/38	TR-218A	3
6R52	13.6/14.9R-36/38	TR-218A	3
6R53	13.6/14.9R38	TR-218A	3
6R55	15.5R-38	TR-218A	3
6R59	16.9/18.4R-38	TR-218A	2
6R61	20.8R-38	TR-218A	2
6R64	20.8R-34	TR-218A	2
6R67	30.5LR-32	TR-218A	1

Note: NB = Non breakable box

# REAR FARM-GRADER-OTR

## REAR FARM TUBES – RADIAL CONTINUED

Part #	Description	Valve	Box Qty
6R68	9.5/11.2/12.4R-42	TR-218A	5
6R70	18.4/20.8R-42	TR-218A	2
6R77	12.4/13.6/14.9R-46	TR-218A	3
6R85-2	16.9/18.4R-46	TR-218A	2
6PR91	9.5R-48 Premium	TR-218A	5
6PR94	270/95R-52/54 Premium	TR-218A	1
6PR96	16.9/18.4R-50 Premium	TR-218A	1

## GRADER TUBES – RADIAL

Part #	Description	Valve	Box Qty
7R52	13/14.00R-20	TR-220A	4
7R55	16/18.00R-20	TR-220A	3
7R67	13/14.00R-24	TR-220A	4
7R70	16.00R-24/25	TR-220A	3

## OFF THE ROAD TUBES – RADIAL

Part #	Description	Valve	Box Qty
8R70	16.00R-24/25	TR-J1175C	3
8R73	18.00R-24/25	TR-J1175C	2
8R75	15.5/17.5R-25	TR-218A	3
8R76	15.5/17.5R-25	TR-J1175C	3
8R79	20.5R-25	TR-J1175C	2
8R80	20.5R-25	TR-218A	2
8R82	23.5R-25	TR-J1175C	2
8R87	29.5R-29	TR-J1175C	1
8R88	18.00R-33	TR-J1175C	1
8R90	26R-25	TR-J1175C	1
8R91	29.5R-25	TR-J1175C	1

# FORESTRY-INDUSTRIAL

## FORESTRY TUBES

Part #	Description	Valve	Box Qty
6R22	23.1R-26	TR-218A	2
6R34	28LR-26	TR-218A	1
6R44	24.5R-32	TR-218A	1
6R55	15.5R-38	TR-218A	3
6R61	20.8R-38	TR-218A	2
6R64	20.8R-34	TR-218A	2
6R67	30.5LR-32	TR-218A	1

## INDUSTRIAL TUBES

Part #	Description	Valve	Box Qty
9I40NB	6.00-9 (Industrial)	TR13	20
9I50NB	6.00/6.90R-9	TRJS2	20
9I52NB	6.00/6.90R-9	TR150A	20
9I54NB	6.00/6.90R-9	TR75A	20
9I59NB	6.50/7.50R-10	TRJS2	20
9I60NB	6.50/7.50R-10	TR150	10
9I64NB	6.50/7.50R-10	TR75A	10
9I66NB	7.00R-12	TR75A	10
9I67NB	9.00R-10	TR75A	10
9I69NB	27X8.15/8.50R-15	TR75A	10
9I71NB	27X8.15/8.50R-15 Off CTR	TR15	10
9I75NB	28X9.00R-15 CTR	TR75A	10
9I80NB	250R-15	TR75A	10
9I82NB	300R-15	TR75A	10
9I86	32X12R-15	TR75A	8

# LAWN & GARDEN

## LAWN AND GARDEN TUBES – BIAS

Part #	Description	Valve	Box Qty
9B01NB	2.80/2.50-4	TR-87	20
9B02NB	4.10/3.50-4	TR-13	20
9B03NB	4.10/3.50-4	TR-87	20
9B05NB	4.10/3.50-5	TR-13	20
9B06	4.10/3.50-5	TR-87	20
9B07NB	4.10/3.50-6	TR-13	20
9B09NB	4.10/3.50-6	TR-87A	20
9B10NB	13x5.00-6(5.30/4.50-6)	TR-13	20
9B12NB	13x5.00-6	TR-87A	20
9B15NB	15x6.00-6	TR-13	20
9B19NB	3.25/3.50-8	TR-13	20
9B32NB	18x7-8	TR-87A	20

## LAWN AND GARDEN TUBES – RADIAL

Part #	Description	Valve	Box Qty
9R21NB	4.00/4.80R8	TR-13	10
9R22NB	4.80R-8	TR-87A	10
9R24NB	5.00/5.70R-8	TR-13	10
9R25NB	5.70R-8	TR-87A	10
9R27NB	16x6.50/7.50R8	TR-13	10
9R30NB	18x8.50/9.50R8	TR-13	10
9R33NB	21x12.00/22x11.00R8	TR6	10
9R36NB	25x12.00R-9	TR6	10
9R39NB	20.5x8R10	TR-13	10
9R42NB	23x8.50/9.50R-12	TR-13	10
9R44NB	26x12.00R-12	TR-13	10
9R45NB	26x12.00R-12	TR-15	10
9R48NB	27x9.50/10.50R-12	TR-13	10
9R51NB	4.50/5.30R12	TR-13	10

# FLAPS

## FLAPS

Part #	Flap Size Description	Flap Size	Type	Box Qty
F126	8R5.7 CTR	500/5.70R8	Industrial	12
F155	9R6.5 CTR	6.00/6.90R9	Industrial	12
F160	10R6.5 CTR	6.50/7.50R10	Industrial	12
F166	12R5.5 CTR	7.00R12	Industrial	12
F200	16R12 CTR	40X14-16	Industrial	5
F223	15R7.0 3/4" OFF CTR	7.00R15	T & B	12
F232	16R6.9 3/4" OFF CTR 5/8" HOLE	7.50R16	T & B	10
F233	16R6.9 CTR	7.50R16	T & B	10
F337	20R7.4 CTR	8.25/9.00R20	T & B	10
F340	20R8.0 CTR	10.00/11.00/12.00R20	T & B	10
F344	20R9.9 CTR	13.00/14.00R20	T & B	8
F350	20R12 CTR	16.00R20(20R12)	T & B	5
F358	22R8.0 CTR	10.00/11.00R22	T & B	8
F364	24R8.2 CTR	11.00/12.00R24	T & B	6
F365	15R8.0 CTR	8.25/9.00/10.00R15	LPT	10
F366	15R7.0 CTR	6.50/7.50/8.25R15	LPT	12
F367	24/25R10 CTR	13.00/14.00R24/25	T & B	5
F667	24/25R10.1 3/4" OFF CTR	13.00/14.00R24	OTR	5
F670	24/25R12 CTR	16.00R24/25	OTR	5
F673	24/25R14 CTR	18.00R24/25	OTR	4
F678	25R15 CTR	15.5/17.5R25	OTR	5
F679	25R18.5 CTR	20.5R25	OTR	3
F682	25R19.5 CTR	23.5R25	OTR	3
F685	25R23.5 CTR	26/29.5R25	OTR	2
F690	20-12 CTR	1600-20/21	T & B	6
F691	20-14 CTR	49X17-20	Industrial	6
F693	28-12 CTR	56X16-28	Industrial	5



# SPORT TUBES

## SPORT TUBES

Part #	Description	Valve /Cover	Box Qty
1A04	7.50-16 Sport Tube (Bulk)	Sport Valve	12
1A07	10.00R20 Sports Tube (Bulk)	Sport Valve	6
1L32U*	7.50-16 Brown Retail Box w/UPC 32"	Sport Valve	10*

\* Quantities Limited

## SPORT TUBES FOR EVERY SEASON!



Start with a quality 100% butyl rubber inner tube. These tubes are built tough, with safety and comfort in mind.

Sport Tubes are available in individual retail boxes or in bulk master cartons. Bulk ordering means bulk savings! Start your tubing season with the right equipment and have a worry-free season with these tough tubes!

**Only OUR tubes feature a shortened valve & cover ("Sport Valve") to stop those back-scratching ouches!**



# SPECIALTY TIRES

WE ARE FULLY STOCKED ON

## OVER 800 SPECIALTY TIRES!

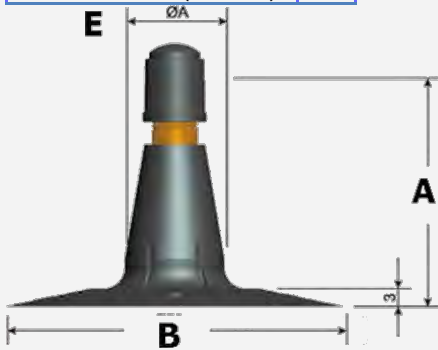
- \* Lawn & Garden \* Construction \* ATV/UTV \* Agriculture, Irrigation \*
- \* Industrial \* Light Truck \* Trailer \* Wheels \* Rubber Tracks \*
- \* Flat Proofing Systems \* Assemblies \*



# VALVES

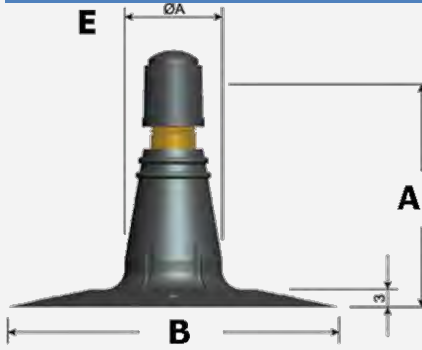
## TR13/TR15

Specification	ØA
TR15/TR15 (Radial)	16.5
TR13/TR13 (Radial)	11.5



## TR13CW/TR15CW

Specification	ØA
TR15CW/TR15CW(Radial)	16.5
TR13/TR13 (Radial)	11.5



### Tech Specifications:

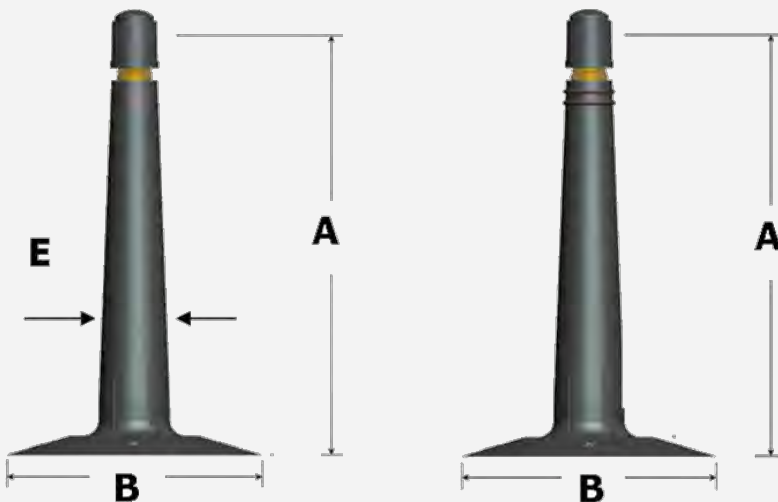
- Use with .453" / .625" diameter rim holes.
- TR13/TR15 maximum cold psi is 60.
- TR13CW/TR15CW maximum cold psi is 150 (liquid fill).

### Usage:

- Passenger, light truck, farm implement and industrial tubes.

Valve No.	A		B Diameter		E Diameter	
	mm	inches	mm	inches	mm	inches
TR13 / CW	35	1.38	56	2.20	11.5	0.46
TR15 / CW	35	1.38	56	2.20	16.5	0.65

## TR135/TR150/TR150CW



### Tech Specifications:

- Limited to applications with maximum cold inflate pressure of 100 psi.
- TR150CW can have liquid fill.

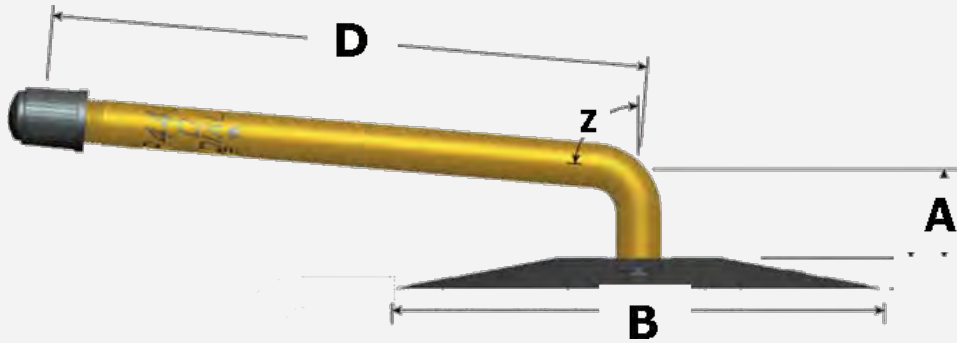
### Usage:

- Light truck, some front farm, farm implement and industrial tubes.

Valve No.	A		B Diameter		E Diameter	
	mm	inches	mm	inches	mm	inches
TR135	66.5	2.62	56	2.2	15.5	0.61
TR150	88.5	3.48	56	2.2	15.5	0.61
TR150CW	88.5	3.48	56	2.2	15.5	0.61

# VALVES

## TR75A / TR440 SERIES



### Tech Specifications:

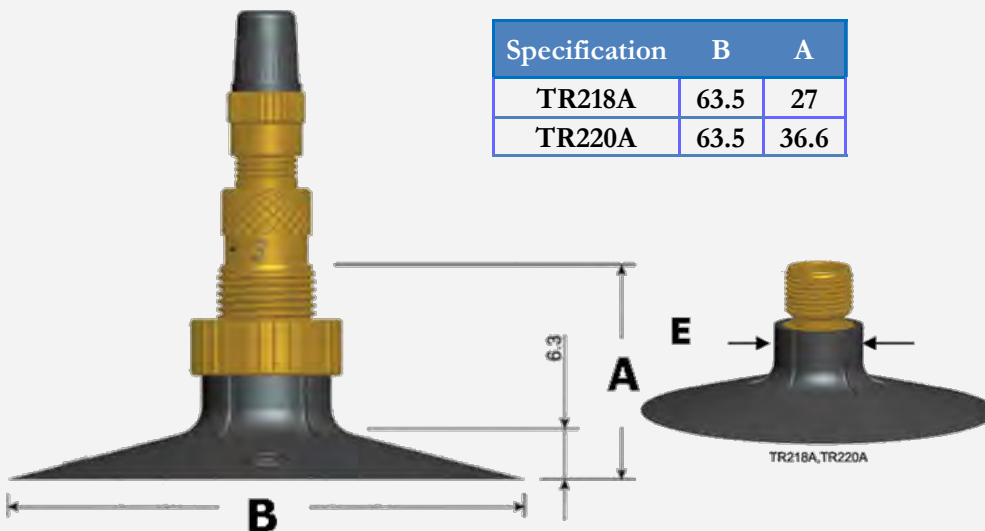
- This valve can be used with some liquid applications.
- Maximum inflations is 150 psi.

### Usage:

- For light, medium and heavy truck along with some industrial applications.

Valve No.	A		B Diameter		D		Z	Equal
	mm	inch	mm	inch	mm	inch	degrees	
TR75A	24	0.94	82.5	3.25	76	2.99	85°	TR440
TR177A	24	0.94	82.5	3.25	95	3.74	85°	TR441
TR77A	24	0.94	82.5	3.25	105	4.13	85°	TR442
TR75A	24	0.94	82.5	3.25	115	4.53	85°	TR443
TR78A	24	0.94	82.5	3.25	127	5	85°	TR444
TR179A	24	0.94	95	3.74	141	5.55	85°	TR445

## TR218A / TR220A



Specification	B	A
TR218A	63.5	27
TR220A	63.5	36.6

### Tech Specifications:

- Use with .625" diameter rim holes.
- Maximum inflation psi is 150 (liquid ballast fill).

### Usage

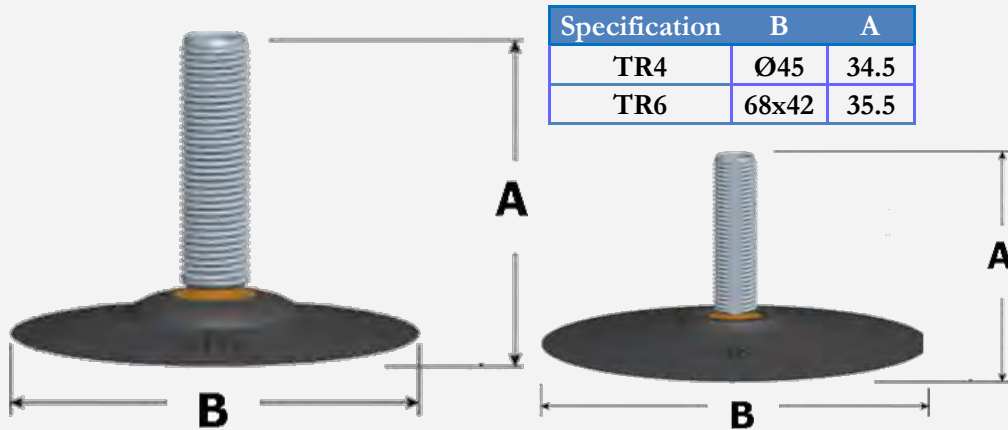
- Rear tractor, front tractor, flotation, forestry and L&G.  
**TR220A:** Road Grader.

Valve No.	A		B Diameter		E Diameter	
	mm	inches	mm	inches	mm	inches
TR218A	20.5	0.81	63.5	2.50	16	0.63
TR220A	30.0	1.18	63.5	2.50	16	0.63



# VALVES

## TR4/TR6



### Tech Specifications:

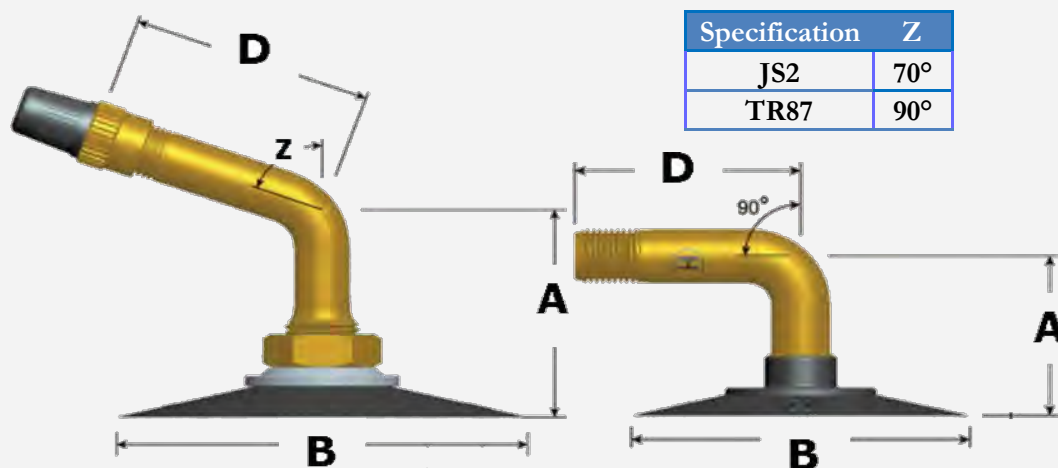
- Use with .333" / .453" diameter rim holes.
- Maximum inflation is 60 psi.
- Not intended for liquid fill.
- Not bendable.

### Usage:

- ATV and industrial sizes.

Valve No.	A		B Diameter	
	mm	inches	mm	inches
TR4	34.5	1.36	45	1.77
TR6	35.5	1.40	68X42	2.68X1.65

## JS2 / TR87



### Tech Specifications:

- This valve fits the .445" / .461" rim hole.
- Can be used with liquid fill.

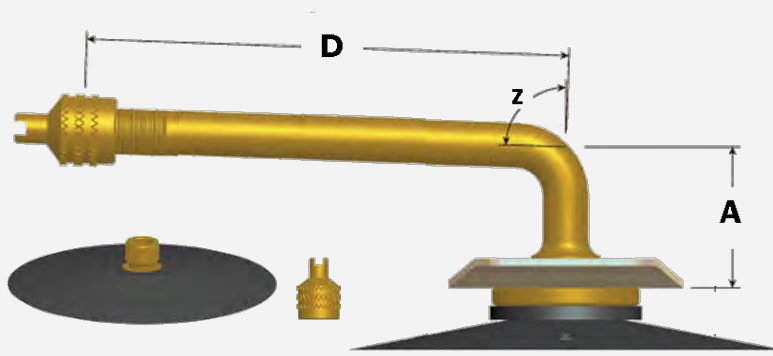
### Usage:

- Industrial applications.

Valve No.	A		B Diameter		D		Z
	mm	inch	mm	inch	mm	inch	degrees
JS2	26	1.0	56	2.2	33	1.3	70°
TR87	15	.59	45	1.8	33	1.3	90°

# VALVES / (VALVE DIAGRAM LEGEND)

## TRJ1175C



### Tech Specifications:

- This is a large bore screw-on metal valve that uses a JSP1 spud.
- Maximum inflation is 150 psi.
- Can be used with liquid fill.

### Usage:

- Heavy Truck and off-the-road sizes.

Valve No.	A		D		Z
	mm	inch	mm	inch	degrees
TRJ1175C	31	1.22	105	4.13	88°



## SPORTS VALVE

Our customers refer to it as “the best idea ever”.

No more long valves to poke, burn or take the fun out of their day. We're proud to say we invented it!



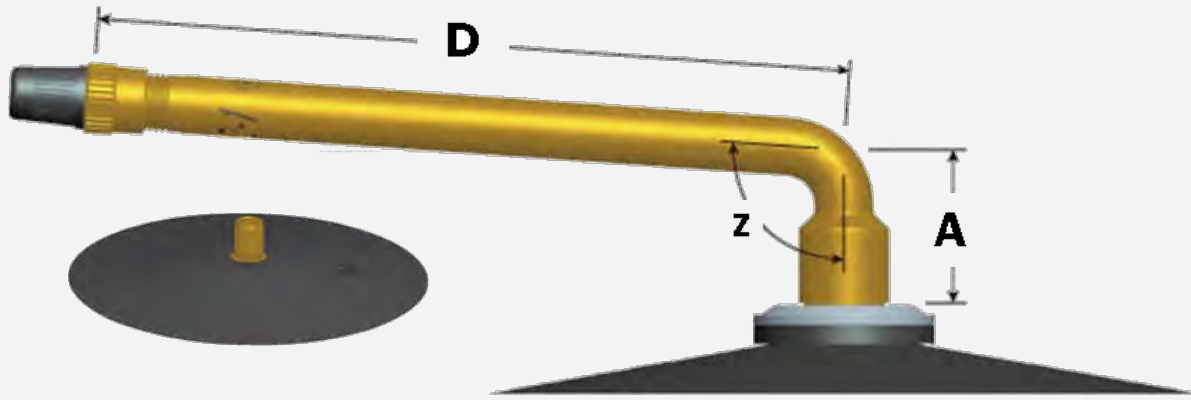
## Valve - Diagram Legend

Letter	Description
A	Stem length from base
B	Base diameter
C	Bridge washer height
D	Stem length from bend
E	Stem diameter
Z	Angle bend



# VALVES

V3-02-14



Valve No.	A		D		Z
	mm	inch	mm	inch	degrees
V3-02-14	20.5	0.81	138.5	5.45	94°

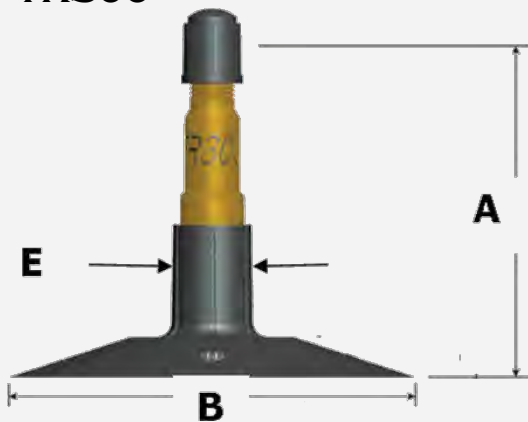
**Tech Specifications:**

- This valve can have extensions applied.
- Made for rim slot.
- Maximum inflation is 150 psi.

**Usage:**

- Truck and bus.

TR300



**Tech Specifications:**

- This valve fits the .618"/.633" rim hole.
- Can be used with liquid fill.

**Usage:**

- Tubeless truck applications.

Valve No.	A		B Diameter		E Diameter	
	mm	inches	mm	inches	mm	inches
TR300	58	1.97	70	2.8	15.6	0.6

# PACKAGING INFORMATION

## Interior:

- Each item itself is printed with the size, country of origin, radial or bias and the Trans American Rubber name. It is then individually wrapped in a plastic liner; showing the size, valve and any inner tube warnings and precautions.

## Exterior:

- Items are placed within a double wall corrugated box, secured by 2-3 yellow straps, ensuring the product arrives in good condition.
- The exterior of each box is then labeled with the part number, size, valve, quantity, lot number, country of origin and the Trans American Rubber name and logo.

Code	Box Size (inches)	Boxes / Pallet	Notes
A	18.3" x 12.5" x 6.5"	96	Half Box
B	18.3" x 12.5" x 12.5"	48	Standard Box
C	24.25" x 16.5" x 7.5"	30	Flap Size

Standard Box (B)



Half Box (A)



Flap Box (C)



# WAREHOUSE OR CONTAINERS



## Superior Warehouse Service

- 99.9% damage-free, claim-free shipments.
- Orders ship the same day when received before 1:00 pm MST.
- All orders are confirmed before they ship out.
- Each order is tracked. Status is available either verbally or electronically.
- Share-ship options available; multiple locations.
- UCC label, RFID tags and special requests accepted (lift-gate, appointment notice, etc.).
- Fast and reliable freight service, coast-to-coast.




## Container-Direct Program

- Factory direct, door-to-door service.
- Choice of 20' or 40' container.
- No extra drayage or container removal charges.
- Custom quote includes all costs and considerations; product cost, freight and documentation.
- Private label branding available with customized boxes and tube markings.
- Shipment container detail provided once loaded and moving. Progress reports of shipment provided either verbally or electronically.
- We handle the customs broker details for you.





 **Wheel  
Engineering**



*2020*



**888-455-4910**